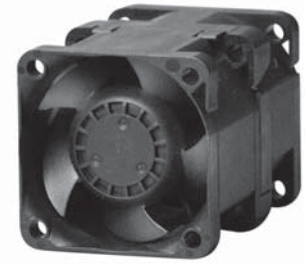


40x40x56 mm

26.9~31.7 CFM



Specifications

Model	Bearing	Rating Voltage	Power Current	Power Consumption	Speed in / out	Air Flow	Static Pressure	Noise	Weight	Curve
	2BALL Sleeve	(VDC)	(mA)	(WATTS)	(RPM)	(CFM)	(Inch-H ₂ O)	(dB(A))	(g)	
PF40561BX-0000-A99	☉	12	1390	16.68	21500/18000	31.7	3.60	65.9	87.0	1
PF40561B1-0000-A99	☉	12	890	10.68	18000/15000	26.9	2.56	62.3	87.0	2

Function

PF40561BX / 1

A99: AutoRestart

F99: AutoRestart and R type

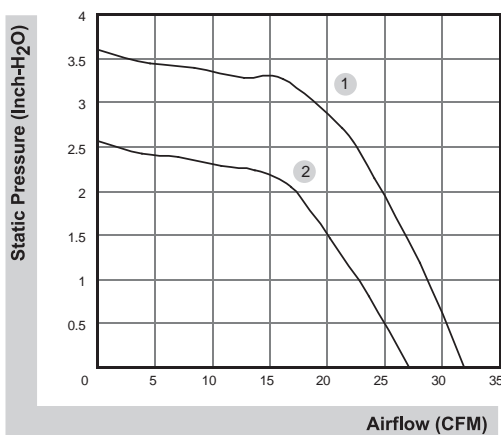
G99: AutoRestart and F type

H99: AutoRestart and PWM

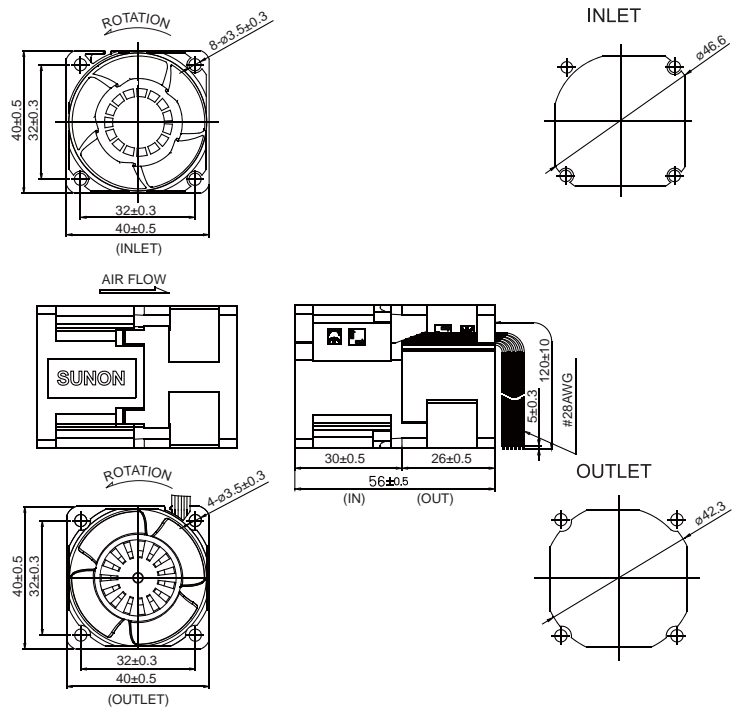
Q99: AutoRestart , R type and PWM

S99: AutoRestart , F type and PWM

Air Flow-Static Pressure Characteristics



External dimensions(mm)



*All model could be customized. Please contact with Sunon Sales.

*Specifications are subject to change without notice. Please Visit SUNON website at www.sunon.com for update information.

40x40x56 mm

19.7~25.0 CFM



■ Specifications

Model	Bearing	Rating Voltage	Power Current	Power Consumption	Speed in / out	Air Flow	Static Pressure	Noise	Weight	Curve
	2BALL Sleeve	(VDC)	(mA)	(WATTS)	(RPM)	(CFM)	(inch-H ₂ O)	(dB(A))	(g)	
VG40561BX-0000-A9H	☉	12	1400	16.80	25500/22300	25.0	6.19	65.0	87.0	1
VG40561B1-0000-A9H	☉	12	750	9.00	20400/17800	19.7	4.16	62.5	87.0	2

■ Function

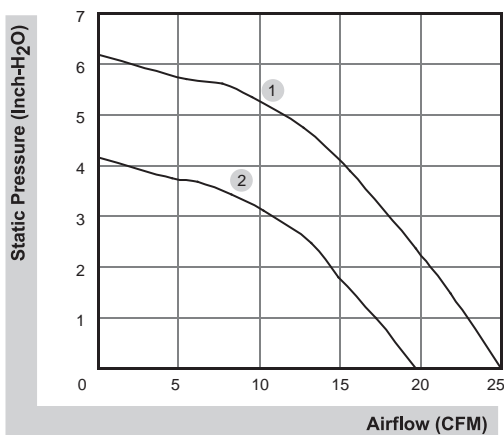
VG40561BX / 1

A9H: AutoRestart

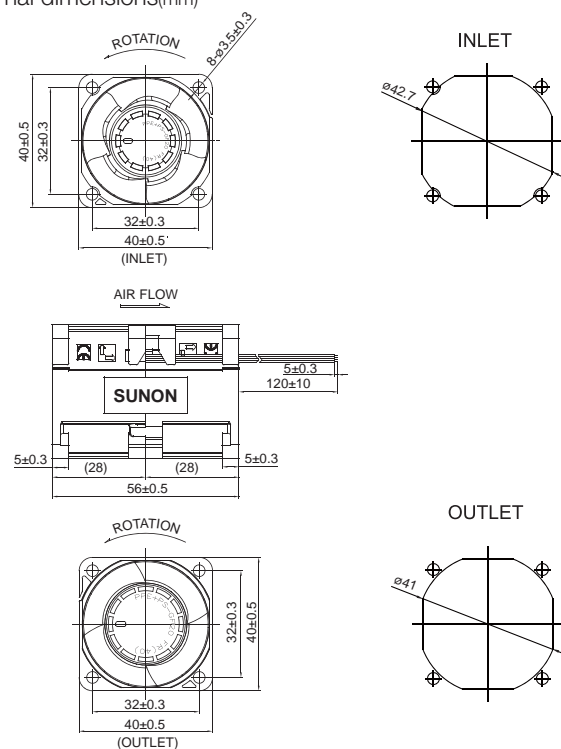
G9H: AutoRestart and F type

S9H: AutoRestart , F type and PWM

■ Air Flow-Static Pressure Characteristics



■ External dimensions(mm)



*All model could be customized. Please contact with Sunon Sales.

*Specifications are subject to change without notice. Please Visit SUNON website at www.sunon.com for update information.