


92x92x25 mm

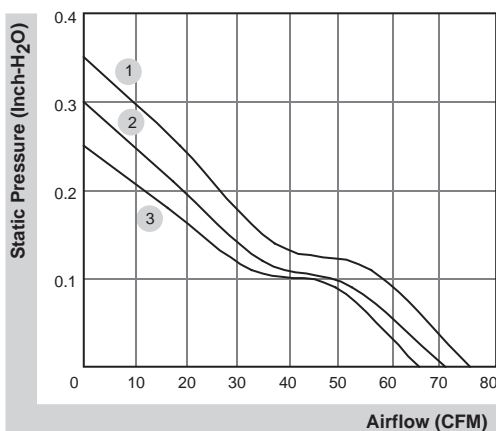
65.0~75.0 CFM



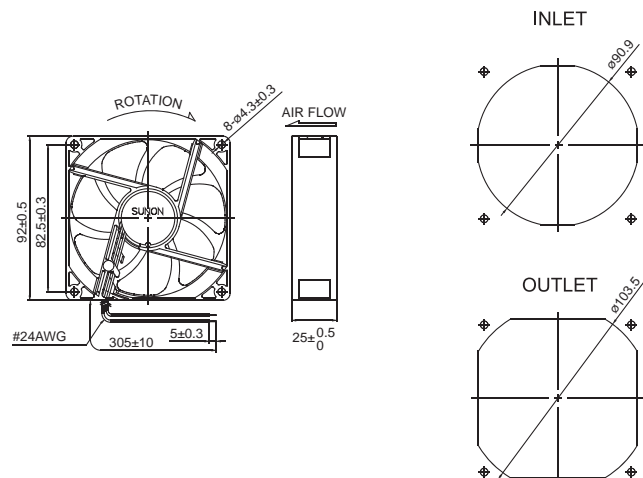
■ Specifications

	Bearing	Rating Voltage	Power Current	Power Consumption	Speed	Air Flow	Static Pressure	Noise	Weight	Curve
	● VAPO	(VDC)	(mA)	(WATTS)	(RPM)	(CFM)	(inch-H ₂ O)	(dB(A))	(g)	
PF92251V1-10000-A99	●	12	370	4.44	4500	75.0	0.35	45.5	106.0	1
PF92251V2-10000-A99	●	12	280	3.36	4200	70.0	0.30	43.7	106.0	2
PF92251V3-10000-A99	●	12	230	2.76	3900	65.0	0.25	41.6	106.0	3
PF92252V1-10000-A99	●	24	210	5.04	4500	75.0	0.35	45.5	106.0	1
PF92252V2-10000-A99	●	24	145	3.48	4200	70.0	0.30	43.7	106.0	2
PF92252V3-10000-A99	●	24	126	3.03	3900	65.0	0.25	41.6	106.0	3

■ Air Flow-Static Pressure Characteristics



■ External dimensions(mm)



*All model could be customized. Please contact with Sunon Sales.

*Specifications are subject to change without notice. Please Visit SUNON website at www.sunon.com for update information.

92x92x25 mm

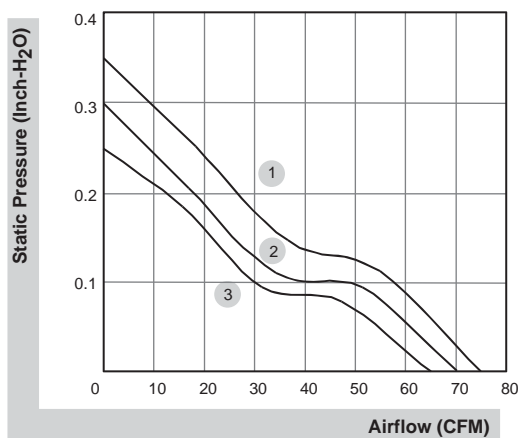
65.0~75.0 CFM



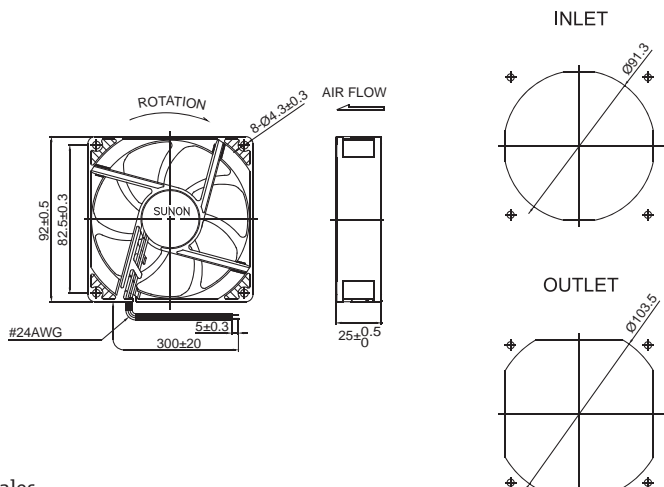
■ Specifications

Model	Bearing	Rating Voltage	Power Current	Power Consumption	Speed	Air Flow	Static Pressure	Noise	Weight	Curve
	2BALL Sleeve	(VDC)	(mA)	(WATTS)	(RPM)	(CFM)	(inch-H ₂ O)	(dB(A))	(g)	
PF92251B1-0000-A99	☉	12	393	4.70	4500	75.0	0.35	47.0	103.0	1
PF92251B2-0000-A99	☉	12	325	3.90	4200	70.0	0.30	45.0	103.0	2
PF92251B3-0000-A99	☉	12	260	3.10	3900	65.0	0.25	43.0	103.0	3
PE92252B1-0000-A99	☉	24	220	5.28	4500	75.0	0.35	47.0	103.0	1
PE92252B2-0000-A99	☉	24	180	4.32	4200	70.0	0.30	45.0	103.0	2
PE92252B3-0000-A99	☉	24	155	3.72	3900	65.0	0.25	43.0	103.0	3
PE92254B1-0000-A99	☉	48	125	6.00	4500	75.0	0.35	47.0	103.0	1
PE92254B2-0000-A99	☉	48	108	5.19	4200	70.0	0.30	45.0	103.0	2
PE92254B3-0000-A99	☉	48	103	4.95	3900	65.0	0.25	43.0	103.0	3

■ Air Flow-Static Pressure Characteristics



■ External dimensions(mm)



*All model could be customized. Please contact with Sunon Sales.

*Specifications are subject to change without notice. Please Visit SUNON website at www.sunon.com for update information.