

# 80x80x25 mm

## 17~22 CFM



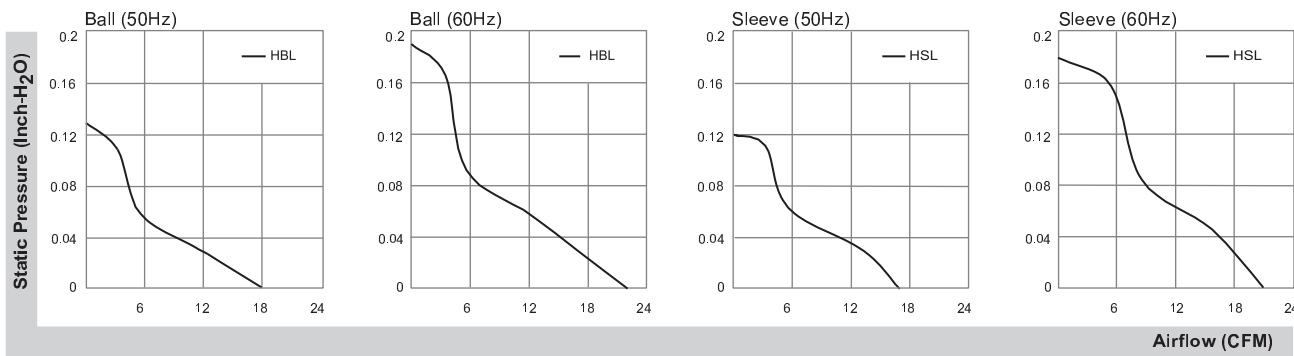
■ Specifications

| Model     | P/N        | Bearing                      | Rating Voltage | Freq. | Power Current | Power Consumption | Speed     | Air Flow | Static Pressure         | Noise   | Weight |
|-----------|------------|------------------------------|----------------|-------|---------------|-------------------|-----------|----------|-------------------------|---------|--------|
|           |            | ● VAPO<br>○ BALL<br>⊙ Sleeve | (VAC)          | (Hz)  | (AMP)         | (WATTS)           | (RPM)     | (CFM)    | (Inch-H <sub>2</sub> O) | (dB(A)) | (g)    |
| SF11580AT | 1082HSL.GN | ⊙                            | 115            | 50/60 | 0.12/0.10     | 12/11             | 2300/2750 | 17/21    | 0.12/0.18               | 29/33   | 260    |
| SF11580AT | 1082HBL.GN | ○                            | 115            | 50/60 | 0.12/0.10     | 12/11             | 2450/2900 | 18/22    | 0.13/0.19               | 30/34.5 | 260    |
| SF23080AT | 2082HSL.GN | ⊙                            | 220-240        | 50/60 | 0.07/0.07     | 14/13.5           | 2300/2750 | 17/21    | 0.12/0.18               | 29/33   | 260    |
| SF23080AT | 2082HBL.GN | ○                            | 220-240        | 50/60 | 0.07/0.07     | 14/13.5           | 2450/2900 | 18/22    | 0.13/0.19               | 30/34.5 | 260    |

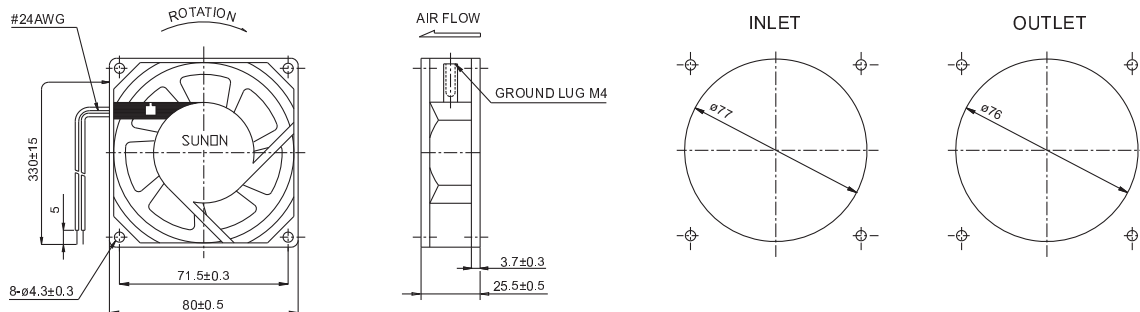
Frame : Aluminum alloy

Safety : UL-CUL/TUV NORD/CE/CCC/BSMI

■ Air Flow-Static Pressure Characteristics



■ External dimensions(mm)



\*All model could be customized. Please contact with Sunon Sales.

\*Specifications are subject to change without notice. Please Visit SUNON website at <http://www.sunon.com> for update information.